

WALTER VALVE



阀门产品选型手册

VALVE PRODUCTS

SELECTION
GUIDE



www.walter-fsv.com

苏州沃莱特流体控制设备有限公司

SUZHOU WALTER FLOW CONTROL EQUIPMENT CO.,LTD.

综合式阀门解决方案提供商
Integrated Valve Solutions Provider.





Company Profile

Suzhou Walter Flow Control Equipment Co., Ltd was established in 2013, we are focus on flow control and provide stable and reliable qualified valves.

In an increasingly competitive environment, we are faced with comprehensive cost control: less consumption, lower emissions, and increasingly stringent labor requirements, environmental protection and production safety. What our customers need is a more stable and safe operation of the system and more convenient quantitative control. WALTER is a professional valve supplier. It has been able to provide professional products and services from severe pipelines to water systems.

WALTER has always focused on the research and development and production of valves. Valves are the control component of the piping system, long-term stability has always been our goal, providing professional and high-quality engineering solutions for various end users. In the field of flow control, we have been working hard to make it easier to solve and make WALTER as a leader in the field in future.



WATER TREATMENT



IRRIGATION



BUILDINGS



INDUSTRY



HYDROPOWER



FIRE PROTECTION

Our Advantage

- Outstanding product design, excellent product performance
- Product diversity to meet different working conditions
- Perfect technical solutions and timely communication
- Meet the development requirements of smart water in future



WRAS



Find out more at
www.walter-fsv.com

Product Standard :

Design : GB/T12232, BS5163, EN1171 / EN1074
 Flanges : BS EN 1092-2 ASME B16.1
 Face to face : DIN3202-F4/F5, BS EN558-1, ASME B16.1
 Test : BS EN12266-1、API598

Technical Specification:

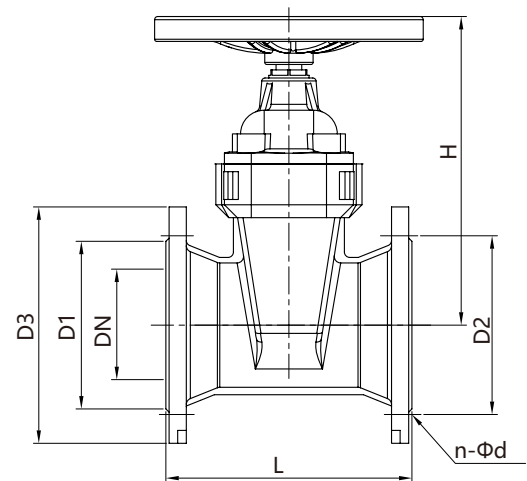
Size: DN50~DN600 (2" ~ 24")
 Pressure: PN10/16
 Work Temperature: -5°C ~ 85°C
 Seat Test: 1.1 x PN
 Shell Test: 1.5 x PN
 Medium: Clean Water, Sewage

Features:

- integral bonnet design, Fully rubber-coated wedge
- 5 sealing ring to prevent internal leakage
- Full bore design , low head loss and low torque
- FBE coating inside and outside Min 250μ

Material Specification:

Item	Part Name	Material
1	Body	EN GJS 500-7
2	Bonnet	EN GJS 500-7
3	Bonnet Screw	C.S
4	Wedge	DI+EPDM
5	Wedge Nut	Brass
6	Stem	AISI 420
7	Stem Nut	Brass
8	Seal Rings	NBR/EPDM
9	Hand Wheel	DI(Cap is Optional)



Dimension (mm)

Code No.	Size	DN	L(F4)	L(BS)	D1	D2	D3	H	n-Φd PN10	n-Φd PN16
NRGV-0050	2"	50	150	178	99	125	165	220	4-Φ19	4-Φ19
NRGV-0065	2½"	65	170	190	118	145	185	240	4-Φ19	4-Φ19
NRGV-0080	3"	80	180	203	132	160	200	290	8-Φ19	8-Φ19
NRGV-0100	4"	100	190	229	156	180	220	330	8-Φ19	8-Φ19
NRGV-0125	5"	125	200	254	184	210	250	375	8-Φ19	8-Φ19
NRGV-0150	6"	150	210	267	211	240	285	420	8-Φ23	8-Φ23
NRGV-0200	8"	200	230	292	266	295	340	500	8-Φ23	12-Φ23
NRGV-0250	10"	250	250	330	319	355	405	610	12-Φ23	12-Φ28
NRGV-0300	12"	300	270	356	370	410	460	720	12-Φ23	12-Φ28
NRGV-0350	14"	350	290	381	429	470	520	920	16-Φ23	16-Φ28
NRGV-0400	16"	400	310	406	480	525	580	940	16-Φ26	16-Φ31
NRGV-0450	18"	450	330	432	548	585	640	1150	20-Φ26	20-Φ31
NRGV-0500	20"	500	350	457	609	650	705	1350	20-Φ26	20-Φ34
NRGV-0600	24"	600	390	508	720	770	840	1500	20-Φ30	20-Φ37

Product Standard :

Design : GB/T12232, BS5163, EN1171 / EN1074
 Flanges : BS EN 1092-2 ASME B16.1
 Face to face : DIN3202-F4/F5, BS EN558-1, ASME B16.1
 Test : BS EN12266-1, API598

Technical Specification:

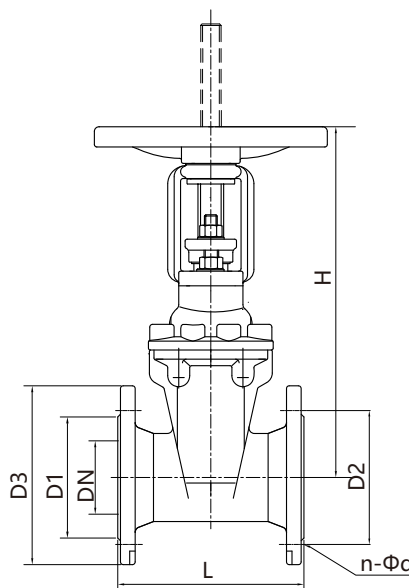
Size: DN50~DN300 (2" ~ 12")
 Pressure: PN10/16
 Work Temperature: -5°C ~ 85°C
 Seat Test: 1.1 x PN
 Shell Test: 1.5 x PN
 Medium: Clean Water, Sewage

Features:

- Fully rubber-coated wedge
- Full bore design , low head loss and low torque
- FBE coating inside and outside Min 250μ

Material Specification:

Item	Part Name	Material
1	Body	EN GJS 500-7
2	Bonnet	EN GJS 500-7
3	Gland	EN GJS 500-7
4	Gland Bolt	AISI 304
5	Bracket	EN GJS 500-7
6	Wedge	DI+EPDM
7	Wedge Nut	Brass
8	Stem	AISI 420/Brass
9	Holding Ring	Brass
10	Seal Rings	NBR/EPDM
11	Hand Wheel	DI



Dimension (mm)

Code No.	Size	DN	L(F4)	L(BS)	D1	D2	D3	H	n-Φd PN10	n-Φd PN16
RSGV-0050	2"	50	150	178	99	125	165	220	4-Φ19	4-Φ19
RSGV-0065	2 1/2"	65	170	190	118	145	185	240	4-Φ19	4-Φ19
RSGV-0080	3"	80	180	203	132	160	200	290	8-Φ19	8-Φ19
RSGV-0100	4"	100	190	229	156	180	220	330	8-Φ19	8-Φ19
RSGV-0125	5"	125	200	254	184	210	250	375	8-Φ19	8-Φ19
RSGV-0150	6"	150	210	267	211	240	285	420	8-Φ23	8-Φ23
RSGV-0200	8"	200	230	292	266	295	340	500	8-Φ23	12-Φ23
RSGV-0250	10"	250	250	330	319	355	405	610	12-Φ23	12-Φ28
RSGV-0300	12"	300	270	356	370	410	460	720	12-Φ23	12-Φ28

Product Standard :

Design : BS5155, API609, BS EN593
 Flanges: BS4504, DIN2501, ASME16.1, JIS 5K/10K
 Face to face : DIN3202, BS EN558-1, ISO5752,
 ASME B16.1
 Top Flange: ISO5211
 Test : BS EN12266, API598

Technical Specification:

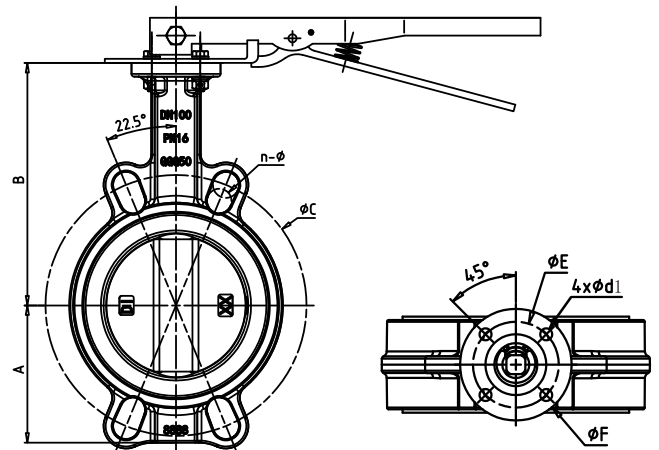
Size: DN50~DN600 (2" ~ 24")
 Pressure: PN10/16
 Work Temperature: -5°C ~ 85°C
 Seat Test: 1.1 x PN
 Shell Test: 1.5 x PN
 Medium: Clean Water, Sewage

Features:

- Bidirectional seal, easy to operate and install
- Streamlined disc with low head loss
- Vulcanized rubber seat, low torque
- Valve can be install on pipeline directly without extra flanges gasket

Material Specification:

Item	Part Name	Material
1	Body	EN GJS 500-7
2	Disc	DI/SS/Bronze
3	Stem	AISI410/416
4	Seat	NBR/EPDM
5	O Rings	NBR
6	Hand Lever	C.S/Aluminum/Plastic



Dimension (mm)

Code No.	Size	DN	L	ΦC	A	B	ΦF	ΦE	ISO5211	n-Φd1	n-Φd PN16
LWBV-0050	2"	50	42	125	64	138	65	50	F05	4-Φ8	4-Φ19
LWBV-0065	2 1/2"	65	44	145	73	152	65	50	F05	4-Φ8	4-Φ19
LWBV-0080	3"	80	45	160	85	158	65	50	F05	4-Φ8	8-Φ19
LWBV-0100	4"	100	52	180	100	177	65	50	F05	4-Φ8	8-Φ19
LWBV-0125	5"	125	54	210	115	190	90	70	F07	4-Φ10	8-Φ19
LWBV-0150	6"	150	56	240	131	202	90	70	F07	4-Φ10	8-Φ23
LWBV-0200	8"	200	60	295	160	237	90	70	F07	4-Φ10	12-Φ23
LWBV-0250	10"	250	66	355	195	267	125	102	F10	4-Φ12	12-Φ28
LWBV-0300	12"	300	76	410	230	304	125	102	F10	4-Φ12	12-Φ28
LWBV-0350	14"	350	78	470	250	330	125	102	F10	4-Φ12	16-Φ28
LWBV-0400	16"	400	99	525	292	375	175	140	F14	4-Φ18	16-Φ31
LWBV-0450	18"	450	105	585	307	405	175	140	F14	4-Φ18	20-Φ31
LWBV-0500	20"	500	128	650	342	450	175	140	F14	4-Φ18	20-Φ34
LWBV-0600	24"	600	152	770	433	518	210	165	F16	4-Φ22	20-Φ37

Product Standard :

Design : BS5155, API609, BS EN593
 Flanges: BS4504, DIN2501, ASME16.1, JIS 5K/10K
 Face to face : DIN3202, BS EN558-1, ISO5752,
 ASME B16.1
 Top Flange: ISO5211
 Test : BS EN12266, API598

Technical Specification:

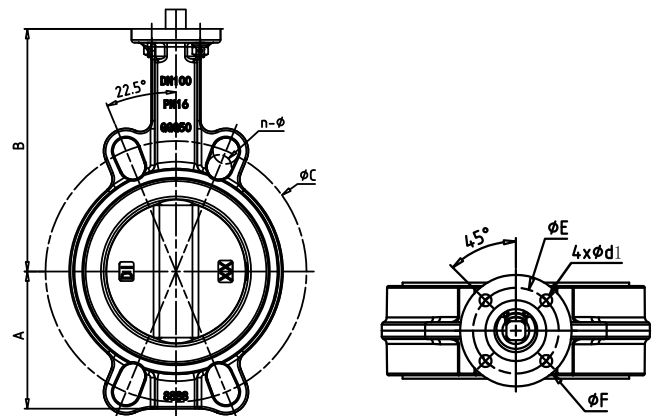
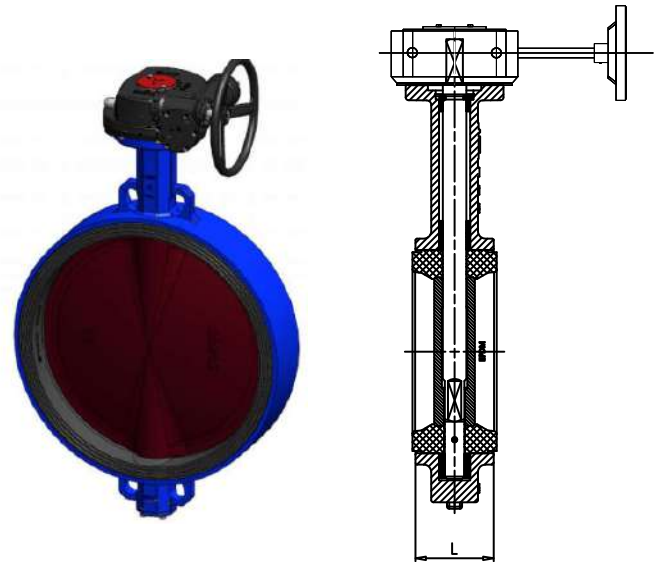
Size: DN50~DN600 (2" ~ 24")
 Pressure: PN10/16
 Work Temperature: -5°C ~ 85°C
 Seat Test: 1.1 x PN
 Shell Test: 1.5 x PN
 Medium: Clean Water, Sewage

Features:

- Bidirectional seal, easy to operate and install
- Streamlined disc with low head loss
- Vulcanized rubber seat, low torque
- Valve can be install on pipeline directly without extra flanges gasket

Material Specification:

Item	Part Name	Material
1	Body	EN GJS 500-7
2	Disc	DI/SS/Bronze
3	Stem	AISI410/416
4	Seat	NBR/EPDM
5	O Rings	NBR
6	Gearbox	Cast Iron



Dimension (mm)

Code No.	Size	DN	L	ΦC	A	B	ΦF	ΦE	ISO5211	n-Φd1	n-Φd PN16
GWBV-0050	2"	50	42	125	64	138	65	50	F05	4-Φ8	4-Φ19
GWBV-0065	2 1/2"	65	44	145	73	152	65	50	F05	4-Φ8	4-Φ19
GWBV-0080	3"	80	45	160	85	158	65	50	F05	4-Φ8	8-Φ19
GWBV-0100	4"	100	52	180	100	177	65	50	F05	4-Φ8	8-Φ19
GWBV-0125	5"	125	54	210	115	190	90	70	F07	4-Φ10	8-Φ19
GWBV-0150	6"	150	56	240	131	202	90	70	F07	4-Φ10	8-Φ23
GWBV-0200	8"	200	60	295	160	237	90	70	F07	4-Φ10	12-Φ23
GWBV-0250	10"	250	66	355	195	267	125	102	F10	4-Φ12	12-Φ28
GWBV-0300	12"	300	76	410	230	304	125	102	F10	4-Φ12	12-Φ28
GWBV-0350	14"	350	78	470	250	330	125	102	F10	4-Φ12	16-Φ28
GWBV-0400	16"	400	99	525	292	375	175	140	F14	4-Φ18	16-Φ31
GWBV-0450	18"	450	105	585	307	405	175	140	F14	4-Φ18	20-Φ31
GWBV-0500	20"	500	128	650	342	450	175	140	F14	4-Φ18	20-Φ34
GWBV-0600	24"	600	152	770	433	518	210	165	F16	4-Φ22	20-Φ37

Product Standard :

Design : BS5155, API609, BS EN593
 Flanges: BS4504, DIN2501, ASME16.1, JIS 5K/10K
 Face to face : DIN3202, BS EN558-1, ISO5752, ASME B16.1
 Top Flange: ISO5211
 Test : BS EN12266, API598

Technical Specification:

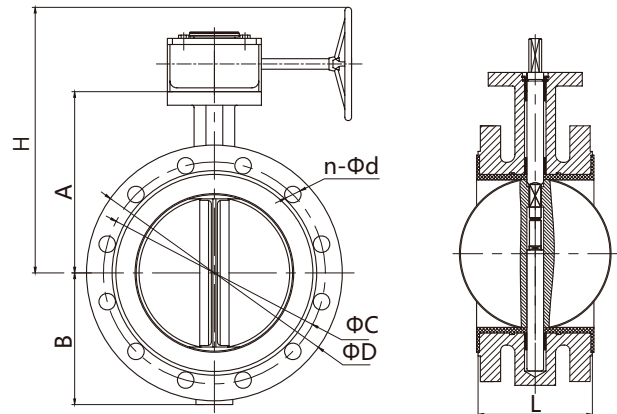
Size: DN50~DN1000 (2"~ 40")
 Pressure: PN10/16
 Work Temperature: -5°C ~ 85°C
 Seat Test: 1.1 x PN
 Shell Test: 1.5 x PN
 Medium: Clean Water, Sewage

Features:

- Bidirectional seal, easy to operate and install
- Streamlined disc with low head loss
- Vulcanized rubber seat, low torque
- Valve can be install on pipeline directly without extra flanges gasket

Material Specification:

Item	Part Name	Material
1	Body	EN GJS 500-7
2	Disc	DI/SS/Bronze
3	Stem	AISI410/416
4	Seat	NBR/EPDM
5	O Rings	NBR
6	Pin	C.S
7	Gearbox	Cast Iron



Dimension (mm)

Code No.	Size	DN	L	A	B	D	C	H	ISO5211	n-ΦdPN10	n-Φd PN16
GFBV-0100	4"	100	127	155	114	220	180	225	F07	8-Φ19	8-Φ19
GFBV-0125	5"	125	140	170	125	250	210	240	F07	8-Φ19	8-Φ19
GFBV-0150	6"	150	140	190	143	285	240	260	F07	8-Φ23	8-Φ23
GFBV-0200	8"	200	152	205	170	340	295	305	F10	8-Φ23	12-Φ23
GFBV-0250	10"	250	165	235	198	405	355	335	F10	12-Φ23	12-Φ28
GFBV-0300	12"	300	178	280	223	460	410	380	F10	12-Φ23	12-Φ28
GFBV-0350	14"	350	190	310	279	520	470	410	F10	16-Φ23	16-Φ28
GFBV-0400	16"	400	216	340	300	580	525	480	F14	16-Φ26	16-Φ31
GFBV-0450	18"	450	222	375	345	640	585	530	F14	20-Φ26	20-Φ31
GFBV-0500	20"	500	229	430	355	705	650	600	F14	20-Φ26	20-Φ34
GFBV-0600	24"	600	267	500	410	840	770	676	F16	20-Φ30	20-Φ36
GFBV-0700	28"	700	292	560	478	910	840	740	F25	24-Φ30	24-Φ36
GFBV-0800	32"	800	318	620	529	1020	950	800	F25	24-Φ33	24-Φ39
GFBV-1000	40"	1000	410	735	657	1225	1170	1045	F25	28-Φ36	28-Φ42

Product Standard :

Flanges: BS EN1092-2, ASME B16.1
 Face to face : DIN3202 F1, BS EN558-1
 Test : BS EN12266, API598

Technical Specification :

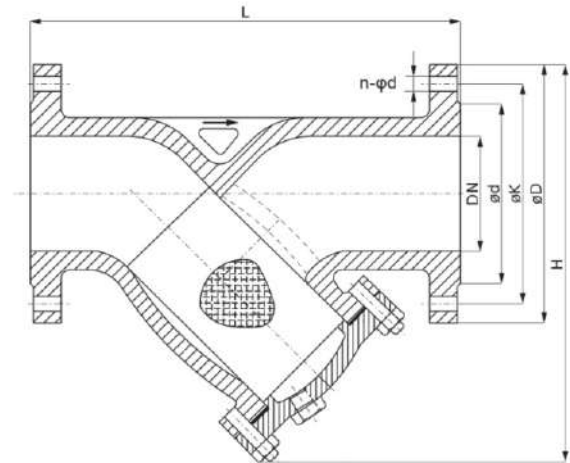
Size : DN50~DN600 (2" ~ 24")
 Pressure: PN16
 Work Temperature : -5°C ~ 85°C
 Seat test : 1.1PN
 Shell Test : 1.5PN
 Medium : water

Features :

- Streamlined design with low head loss Large filtration area Stainless Steel mesh with rib reinforcement
- Mesh number can be custom-made
- FBE coating inside and outside Min 250µ

Material Specification

Item	Part Name	Material
1	Body	EN GJS 500-7
2	Bonnet	EN GJS 500-7
3	Mesh	AISI 304/316
4	Bolts	AISI 304
5	O Rings	NBR



Dimensions (mm)

Code No.	Size	DN	L	D	K	d	n-Φd PN10	n-Φd PN16
YTSV-0050	2"	50	230	165	125	99	4-Φ19	4-Φ19
YTSV-0065	2½"	65	290	185	145	118	4-Φ19	4-Φ19
YTSV-0080	3"	80	310	200	160	132	8-Φ19	8-Φ19
YTSV-0100	4"	100	350	220	180	156	8-Φ19	8-Φ19
YTSV-0125	5"	125	400	250	210	184	8-Φ19	8-Φ19
YTSV-0150	6"	150	480	285	240	211	8-Φ23	8-Φ23
YTSV-0200	8"	200	600	340	295	266	8-Φ23	12-Φ23
YTSV-0250	10"	250	730	405	355	319	12-Φ23	12-Φ28
YTSV-0300	12"	300	850	460	410	370	12-Φ23	12-Φ28
YTSV-0350	14"	350	980	520	470	429	16-Φ23	16-Φ28
YTSV-0400	16"	400	1100	580	525	480	16-Φ26	16-Φ31
YTSV-0450	18"	450	1200	640	585	548	20-Φ26	20-Φ31
YTSV-0500	20"	500	1250	705	650	609	20-Φ26	20-Φ34
YTSV-0600	24"	600	1300	840	770	720	20-Φ30	20-Φ37

Product Standard :

Design : EN 1074-4
 Flanges: BS EN1092-2, ASME B16.1
 Test : BS EN12266

Technical Specification:

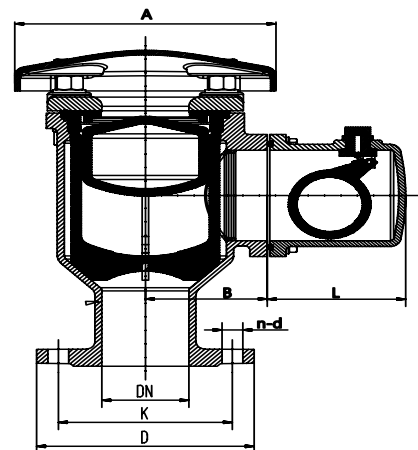
Size: DN50~DN300 (2" ~ 12")
 Pressure: PN10/16
 Work Temperature: -5°C ~ 85°C
 Seat Test: 1.1 x PN
 Shell Test: 1.5 x PN
 Medium: Clean Water、 Sewage

Features:

- Double chamber design to ensure running more smoothly
- Avoid water hammer
- ABS high strength ball to ensure long service life
- Large exhaust port can avoid block
- FBE coating inside and outside Min 250μ.

Material Specification:

Item	Part Name	Material
1	Body	EN GJS 500-7
2	Cover	EN GJS 500-7
3	Ball	ABS
4	Air Vent	Brass
5	Bolts	AISI 304
6	O Rings	NBR/EPDM



Dimension (mm)

Code No.	Size	DN	L	A	B	D	K	n-Φd PN10	n-Φd PN16
TARV-0050	2"	50	125	166	86	165	125	4-Φ19	4-Φ19
TARV-0065	2½"	65	125	166	86	185	145	4-Φ19	4-Φ19
TARV-0080	3"	80	125	240	112	200	160	8-Φ19	8-Φ19
TARV-0100	4"	100	125	265	128	220	180	8-Φ19	8-Φ19
TARV-0125	5"	125	125	265	128	250	210	8-Φ19	8-Φ19
TARV-0150	6"	150	125	265	128	285	240	8-Φ23	8-Φ23
TARV-0200	8"	200	125	265	128	340	295	8-Φ23	12-Φ23
TARV-0250	10"	250	125	265	128	405	355	12-Φ23	12-Φ28
TARV-0300	12"	300	125	265	128	460	410	12-Φ23	12-Φ28

Product Standard :

Design : EN 12334, EN1074,
 Flanges: BS EN1092-2, ISO 7005
 Face to Face: EN 558-1
 Test : BS En12266

Technical Specification:

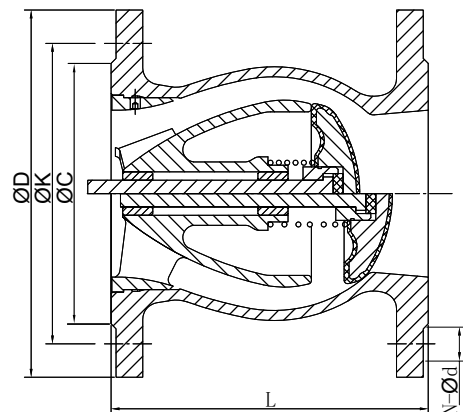
Size: DN50~DN600 (2" ~ 14")
 Pressure: PN10/16
 Work Temperature: -5°C ~ 85°C
 Seat Test: 1.1 x PN
 Shell Test: 1.5 x PN
 Medium: Clean Water

Features:

- The most reasonable and streamlined design;
- The MIN. noise while direct flow or backflow;
- Head loss only 0.18bar with velocity of 2 m/s;
- Shut off speed is only 0.2s;
- Integral body and flow guide design, full rubber coated disc;
- FBE coating inside and outside Min 250μ.

Material Specification:

Item	Part Name	Material
1	Body	EN GJS 500-7
2	Disc	DI+EPDM
3	Stem	AISI 304
4	Spring	AISI 304
5	Bush	Brass
6	Nut	AISI 304



Dimension (mm)

Code No.	Size	DN	L	D	K	C	n-Φd PN10	n-Φd PN16
SNCV-0050	2"	50	150	165	125	19	4-Φ19	4-Φ19
SNCV-0065	2½"	65	150	185	145	19	4-Φ19	4-Φ19
SNCV-0080	3"	80	180	200	160	19	8-Φ19	8-Φ19
SNCV-0100	4"	100	190	220	180	19	8-Φ19	8-Φ19
SNCV-0125	5"	125	210	250	210	19	8-Φ19	8-Φ19
SNCV-0150	6"	150	210	285	240	19	8-Φ23	8-Φ23
SNCV-0200	8"	200	230	340	295	20	8-Φ23	12-Φ23
SNCV-0250	10"	250	250	405	355	22	12-Φ23	12-Φ28
SNCV-0300	12"	300	270	460	410	24.5	12-Φ23	12-Φ28
SNCV-0350	14"	350	290	520	470	24.5	12-Φ23	12-Φ28

Product Standard :

Design : EN 12334, EN1074,
 Flanges: BS EN1092-2, ISO 7005
 Face to Face: EN 558-1
 Test : BS EN12266

Technical Specification:

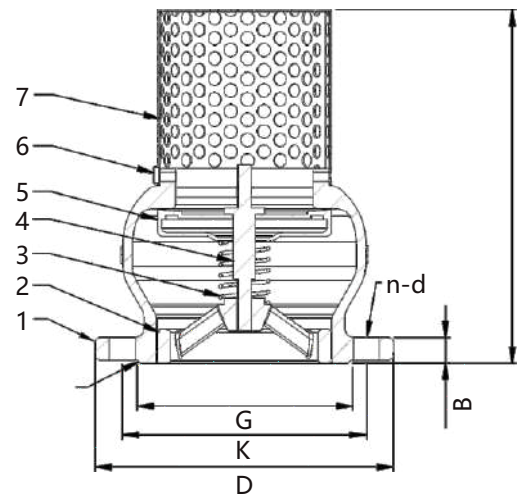
Size: DN50~DN600 (2" ~12")
 Pressure: PN10/16
 Work Temperature: -5°C ~ 85°C
 Seat Test: 1.1 x PN
 Shell Test: 1.5 x PN
 Medium: Clean Water, Sewage

Features:

- Reasonable design, can effectively avoid turbulence
- Easy to install, maintenance and replacement FBE coating inside and outside Min 250μ.
- It's widely use in pumping stations and networks for clean water distribution, irrigation and water treatment

Material Specification:

Item	Part Name	Material
1	Body	EN GJS 500-7
2	Base	EN GJS 500-7
3	Spring	AISI 304
4	Stem	AISI 304
5	Disc	DI+EPDM
6	Bolt	AISI 304
7	Sceen	AISI 304



Dimension (mm)

Code No.	Size	DN	D	K	G	H	B	n-Φd PN10	n-Φd PN16
DFFV-0050	2"	50	165	125	102	190	19	4-Φ19	4-Φ19
DFFV-0065	2½"	65	185	145	122	210	19	4-Φ19	4-Φ19
DFFV-0080	3"	80	200	160	138	240	19	8-Φ19	8-Φ19
DFFV-0100	4"	100	220	180	158	250	19	8-Φ19	8-Φ19
DFFV-0125	5"	125	250	210	188	310	19	8-Φ19	8-Φ19
DFFV-0150	6"	150	285	240	212	370	19	8-Φ23	8-Φ23
DFFV-0200	8"	200	340	295	268	450	20	8-Φ23	12-Φ23
DFFV-0250	10"	250	405	355	320	470	22	12-Φ23	12-Φ28
DFFV-0300	12"	300	460	410	378	500	25	12-Φ23	12-Φ28

Product Standard :

Design : API 594,
 Flanges: BS EN1092-2
 Face to Face: EN 558-1
 Test : BS EN12266 ,API 598

Technical Specification:

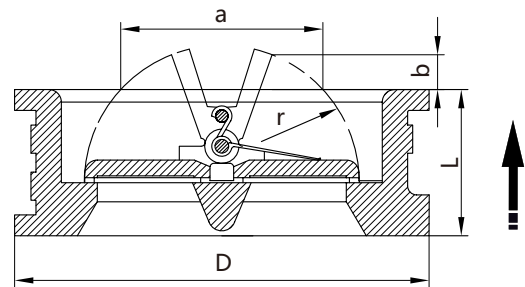
Size: DN50~DN600 (2" ~ 24")
 Pressure: PN10/16
 Work Temperature: -5°C ~ 85°C
 Seat Test: 1.1 x PN
 Shell Test: 1.5 x PN
 Medium: Clean Water, Sewage

Features:

- Simple structure and affordable, Small and easy to install
- Horizontal or Vertical Installation
- Quick shut off speed
- FBE coating inside and outside Min 250μ

Material Specification:

Item	Part Name	Material
1	Body	EN GJS 500-7
2	Disc	DI/Stainless Steel
3	Stem	AISI 304
4	Spring	AISI 304
5	Bush	PTFE
6	Seat	EPDM/NBR



Dimension (mm)

Code No.	Size	DN	L	D	a	b	r	Wet (kg)
DDCV-0050	2"	50	43	107	43	8	29	1.5
DDCV-0065	2 1/2"	65	46	127	60	13	36	2.4
DDCV-0080	3"	80	64	142	66	14	43	3.6
DDCV-0100	4"	100	64	162	93	24	53	5.3
DDCV-0125	5"	125	70	192	117	33	66	7.3
DDCV-0150	6"	150	76	218	145	43	79	9.2
DDCV-0200	8"	200	89	273	198	68	104	16.0
DDCV-0250	10"	250	114	328	234	72	127	26.0
DDCV-0300	12"	300	114	382	284	100	148	40.7
DDCV-0350	14"	350	127	442	333	121	173	55.0
DDCV-0400	16"	400	140	495	381	137	198	75.0
DDCV-0450	18"	450	152	555	420	148	218	118.0
DDCV-0500	20"	500	152	617	475	180	245	173.0
DDCV-0600	24"	600	178	734	585	220	302	200.0

Product Standard :

Design : BS5153
 Flanges: BS EN1092-2, ASME B16.1
 Face to Face: EN 558-1, DIN F6
 Test : BS EN12266 API 598

Technical Specification:

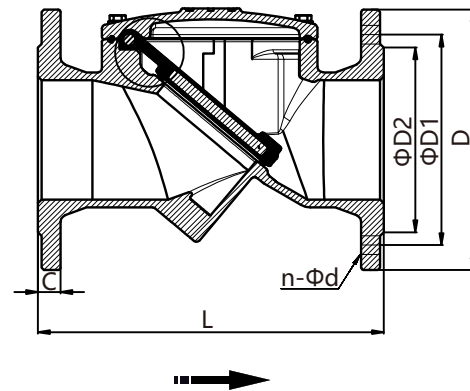
Size: DN50~DN600 (2" ~ 24")
 Pressure: PN10/16
 Work Temperature: -5°C ~ 85°C
 Seat Test: 1.1 x PN
 Shell Test: 1.5 x PN
 Medium: Clean Water, Sewage

Features:

- Disc 45 Degree design to reduce water hammer;
- Full rubber coated disc
- Horizontal or Vertical Installation
- FBE coating inside and outside Min 250µ

Material Specification:

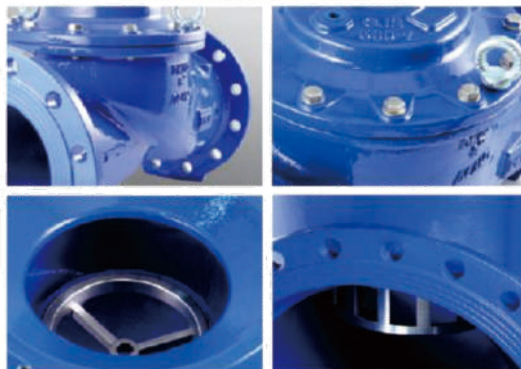
Item	Part Name	Material
1	Body	EN GJS 500-7
2	Cover	EN GJS 500-7
3	Disc	C.S+EPDM
4	Shaft	AISI 304
5	Bolts	AISI 304
6	O rings	NBR



Dimension (mm)

Code No.	Size	DN	L	D	D1	D2	n-Φd PN10	n-Φd PN16
RDCV-0050	2"	50	203	165	125	99	4-Φ19	4-Φ19
RDCV-0065	2½"	65	216	185	145	118	4-Φ19	4-Φ19
RDCV-0080	3"	80	241	200	160	132	8-Φ19	8-Φ19
RDCV-0100	4"	100	292	220	180	156	8-Φ19	8-Φ19
RDCV-0125	5"	125	330	250	210	184	8-Φ19	8-Φ19
RDCV-0150	6"	150	356	285	240	211	8-Φ23	8-Φ23
RDCV-0200	8"	200	495	340	295	266	8-Φ23	12-Φ23
RDCV-0250	10"	250	622	405	355	319	12-Φ23	12-Φ28
RDCV-0300	12"	300	698	460	410	370	12-Φ23	12-Φ28
RDCV-0350	14"	350	787	520	470	429	16-Φ23	16-Φ28
RDCV-0400	16"	400	914	580	525	480	16-Φ26	16-Φ31
RDCV-0450	18"	450	914	640	585	548	20-Φ26	20-Φ31
RDCV-0500	20"	500	978	705	650	609	20-Φ26	20-Φ34
RDCV-0600	24"	600	1100	840	770	720	20-Φ30	20-Φ37

Professional Hydraulic Control Valves Manufacturer



Product Standard

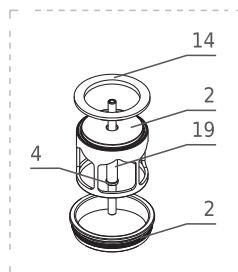
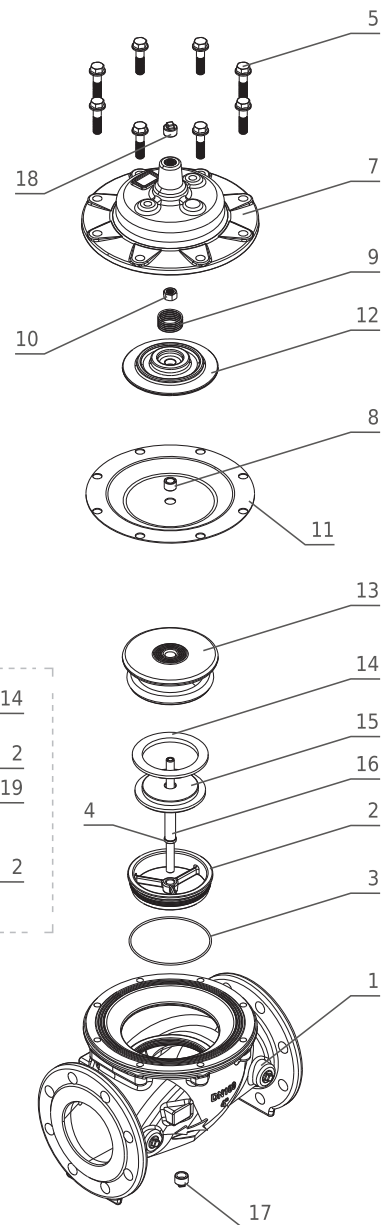
Design : GB/T10674, EN1074-5
 Flanges: EN1092-2, ISO7005-2, ANSI
 Face to Face: GB/T1221, BS EN558-1
 Test : BS EN12266 , API 598

Features:

- Full bore and streamline design,
- lowest head loss when valve fully open.
- High sensitive and strength fabric reinforced diaphragm,
- 1.000,000.00 times test between fully close to open with pressure
- 5 times of working pressure destructive testHigh standard production testSeal
- Seal Test: 1.1 x PN + 1 Bar
- Shell Test: 1.5 x PN + 1 Bar
- Pressure Deviation: ± 0.3 bar
- FBE coating inside and outside Min 250µ.

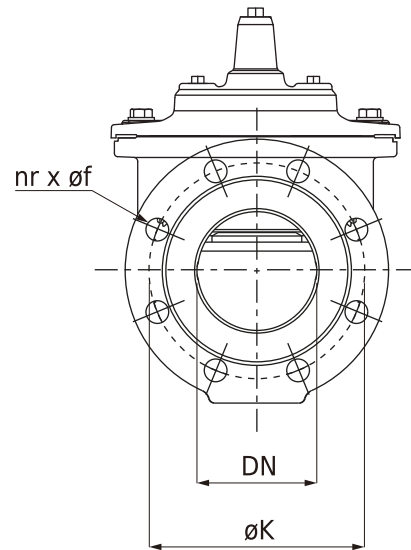
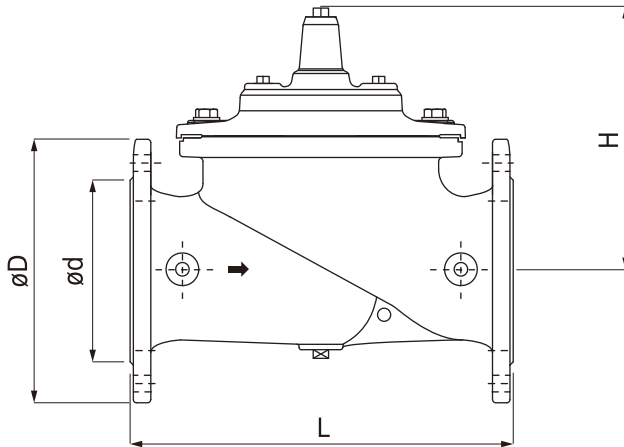
Material Specification:

Item	Part Name	Material
1	Body	EN GJS 500-7
2	Cover	EN GJS 500-7
3	Stem	AISI 304
4	Diaphragm	EPDM+Nylon
5	Support Ring	EN GJS 500-7
6	Obturator	EN GJS 500-7
7	Spring	AISI 304
8	O ring	NBR
9	Seat	AISI 304
10	V-Port	AISI 304
12	Nut	AISI 304



WALTER V-PORT

Main Valve Model F8010 ~ F8080



EN 588			EN 1092 PN10					EN 1092 PN 16					EN 1092 PN 25					Weight
DN	L	H	D	K	f	n	d	D	K	f	n	d	D	K	f	n	d	kg
50	230	139	165	125	19	4	99	165	125	19	4	99	165	125	19	4	99	14
65	290	159	185	145	19	4	118	185	145	19	4	118	185	145	19	4	118	19
80	310	179	200	60	19	8	132	200	160	19	8	132	200	160	19	8	132	23
100	350	214	220	180	19	8	156	220	180	19	8	156	235	190	23	8	156	33
150	480	333	285	240	23	8	211	285	240	23	8	211	300	250	28	8	211	70
200	600	407	340	295	23	8	266	340	295	23	12	266	360	310	28	8	274	128
250	730	476	395	350	23	12	319	405	355	28	12	319	425	370	31	12	330	210
300	850	526	445	400	23	12	370	460	410	28	12	370	485	430	31	12	389	280
400	1100	624	565	515	28	16	480	580	525	31	16	480	620	550	37	16	503	580
500	1250	720	670	620	28	20	582	715	650	34	20	609	730	660	37	20	609	900
600	1450	835	780	725	31	20	682	840	770	37	20	720	845	770	41	20	720	1250
800	1850	1110	1015	950	34	24	901	1025	950	41	24	901	1085	990	50	24	928	1560
1000	2250	1350	1230	1160	37	28	1112	1255	1170	44	28	1112	1320	1210	57	28	1140	2300



Float Control Valve F8010

• Working Principle

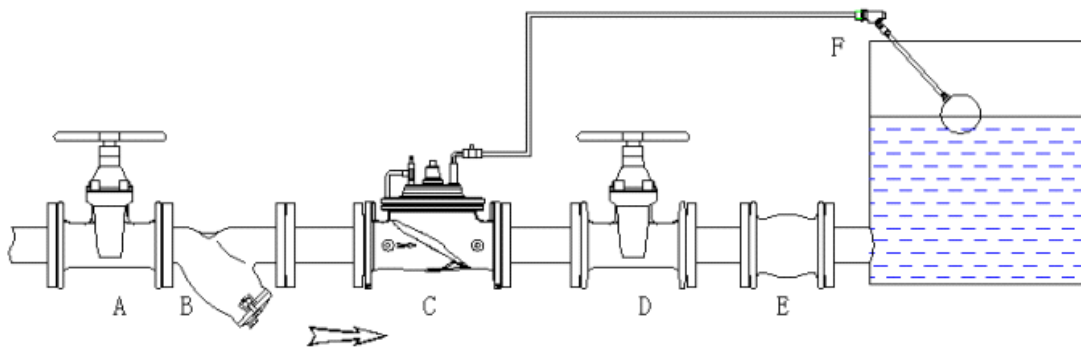
Float Control Valve is used to maintain a pre-set point water level. The float pilot will shut off when water level rises to high level, and open when water level drops. The float ball can be mounted separately in the water tank or with the main valve.

• Features

Reasonable design, stable performance, long service life; Easy to replace and available on-line maintenance; The needle valve can adjust the opening and closing speed of the main valve.

• Application Area

Water tanks for industrial plant and residential buildings



Pressure Reducing Valve F8020

• Working Principle

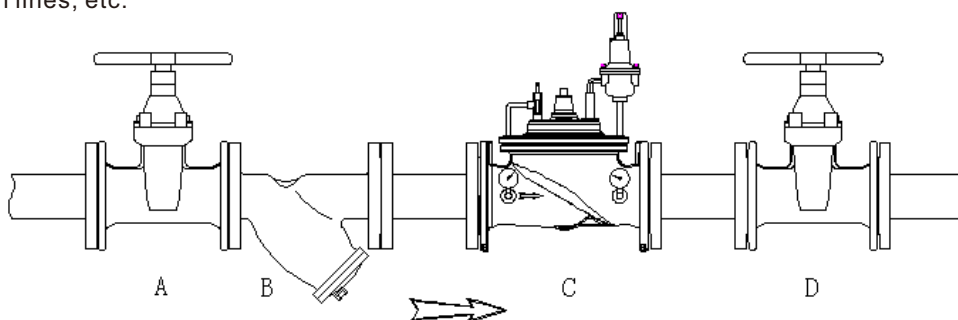
Pressure Reducing Valve is an accurate and pilot controlled valve. It can reduce a high inlet water pressure to a steady low downstream pressure regardless of the inlet water pressure changing.

• Features

Reasonable design, stable performance, long service life; Rapid response, precision and reliability; Easy to replace and available on-line maintenance; Pilot valve setting the pre-set pressure.

• Application Area

Urban water supply and industrial, agricultural water transmission lines, etc.



Slow Check Valve F8030

• Working Principle

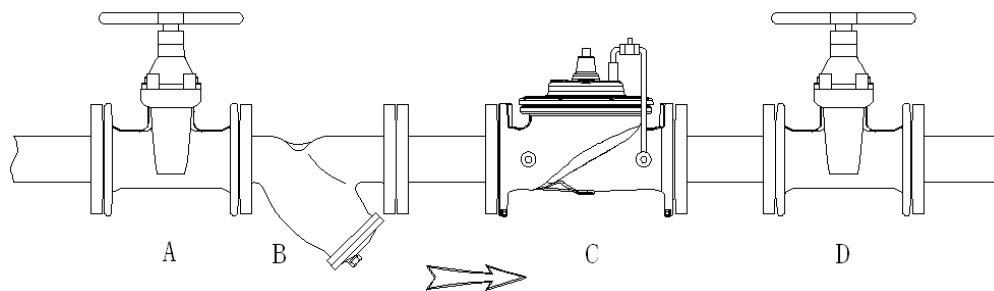
Slow Check Valve is a hydraulic operated Non-slam check valve, Valve opens when inlet pressure over outlet pressure, Valve close tightly when water hammer appears downstream. The velocity of open and close can be controlled by the ball valve which on the outlet control tube line.

• Features

Reasonable design, stable performance, long services life;
Rapid response, precision and reliability
Easy to replacement and available on-line maintenance;
Large flow, small head loss, and can prevent water hammer.

• Application Area

Urban water supply and industrial, agricultural water transmission lines, etc.



Pressure Relief/Sustaining Valve F8050

• Working Principle

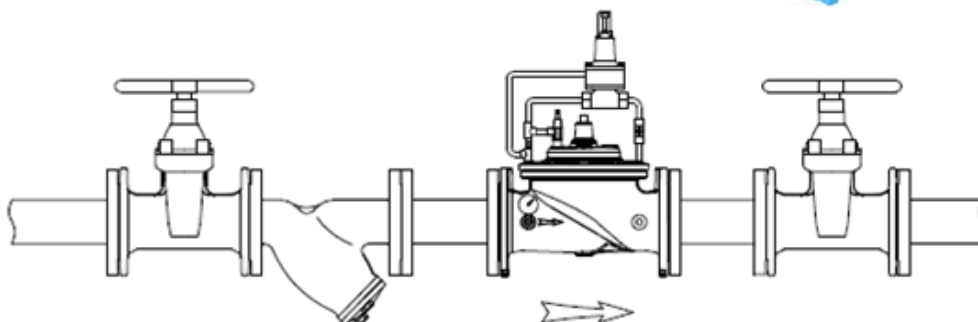
Pressure Relief/Sustaining Valve is a hydraulic operated and controlled by pilot valve. To maintain the constant upstream pressure. When inlet pressure exceed pre-set pressure, the pilot valve open and main valve opens according. When main valve relief to the pre-set pressure, pilot valve close and main valve close according.

• Features

Reasonable design, stable performance, long services life;
Rapid response, precision and reliability
Easy to replacement and available on-line maintenance;

• Application Area

Urban water supply and industrial, agricultural water transmission lines, etc.



Flow Control Valve F8040

• Working Principle

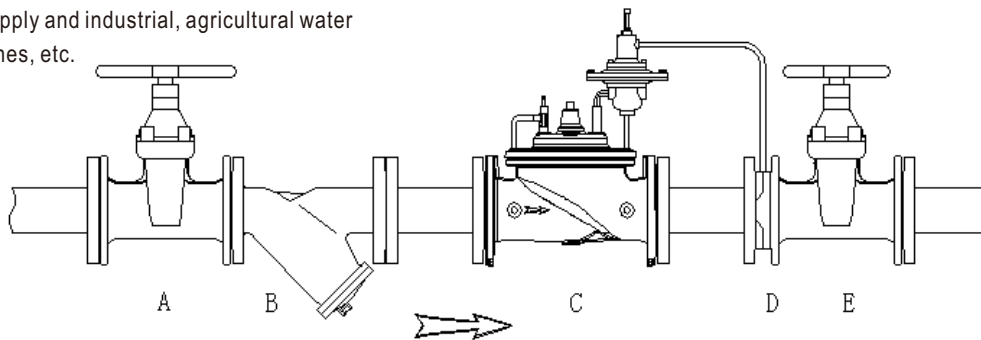
Flow Control Valve is a hydraulically operated and pilot control valve to maintains a constant flow regardless of the pressure changes in pipeline system. The pilot valve control and response to the differential pressure produced across an orifice plate which installed downstream of the valve. And there are several orifice plate with different hole optional for each size.

• Features

Reasonable design, stable performance, long services life; Rapid response, precision and reliability, easy to operated; The economical pilot valve is optional if consider of price.

• Application Area

Urban water supply and industrial, agricultural water transmission lines, etc.



Solenoid Control Valve F8060

• Working Principle

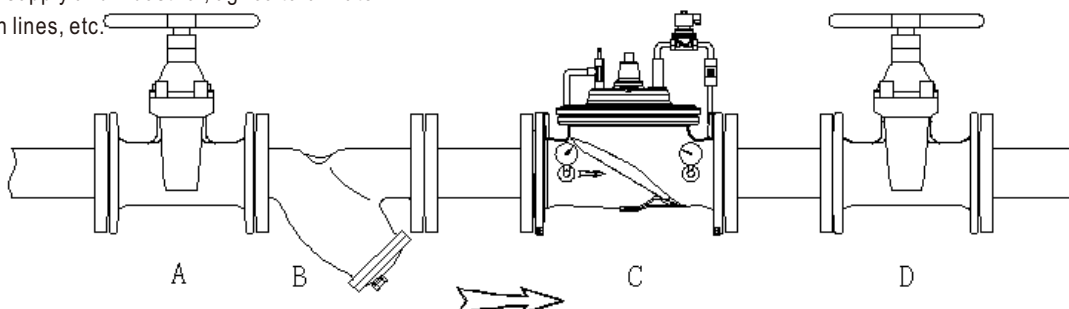
Solenoid Control Valve is an on-off control valve that either opens or closes upon receiving an electrical signal to the solenoid pilot control. This valve consists of a main valve and a 2-way solenoid valve that alternately applies pressure to relieves pressure from diaphragm chamber of the main valve. It's normally open or normally closed type.

• Features

Reasonable design, stable performance, long services life; Rapid response, precision and reliability, easy to operated; The economical pilot valve is optional if consider of price.

• Application Area

Urban water supply and industrial, agricultural water transmission lines, etc.



Surge Anticipating Valve F8055

• Working Principle

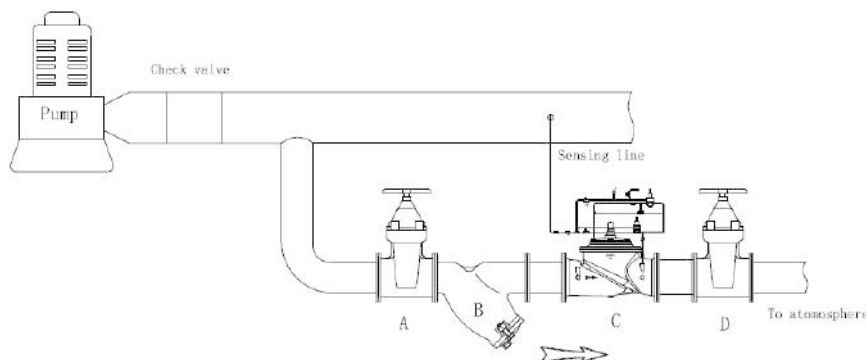
Surge Anticipating Valve is use for protect pumps and all applicable pipelines from dangerous pressure surges caused by rapid flow velocity changes. When power failure, the pump stopping can cause dangerous wave which could result in serious equipment damage. The down wave caused by pump stop, surge valve open to diverting the high pressure wave and dissipate it. then valve close slowly without any further surge.

• Features

Reasonable design, stable performance, long services life;
Rapid response, precision and reliability
Large flow, small head loss, and can prevent water hammer.

• Application Area

Urban water supply and industrial, agricultural water transmission lines, etc.



Altitude Control Valve F8015

• Working Principle

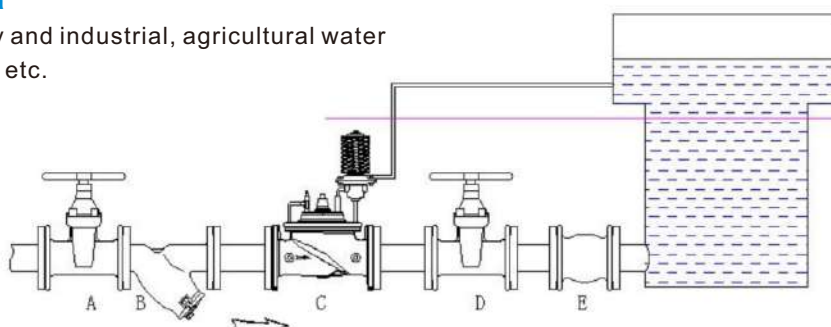
Altitude Control Valve is hydraulically operated and pilot controlled the high water level in reservoirs without floats ball. The valve keeping fully open until the shut off water level is reached. The pilot operates on the differential in forces between a spring load and water level. the desired high water level is set by adjusting the spring force.

• Features

Reasonable design, stable performance, long services life;
Rapid response, precision and reliability, easy to operated;
The Pilot control the water level deviation within 0.5 meter.

• Application Area

Urban water supply and industrial, agricultural water transmission lines, etc.





WALTER

Add : No.138 Lize Road, Wujiang District,Suzhou,China

Tel:+86-512-68622355 +86-512-63065900

Email:walter@walter-fsv.com

www.walter-fsv@fsv.com